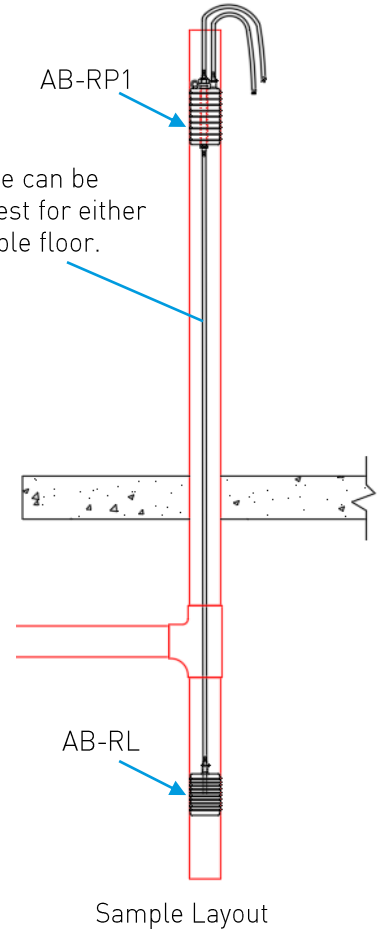
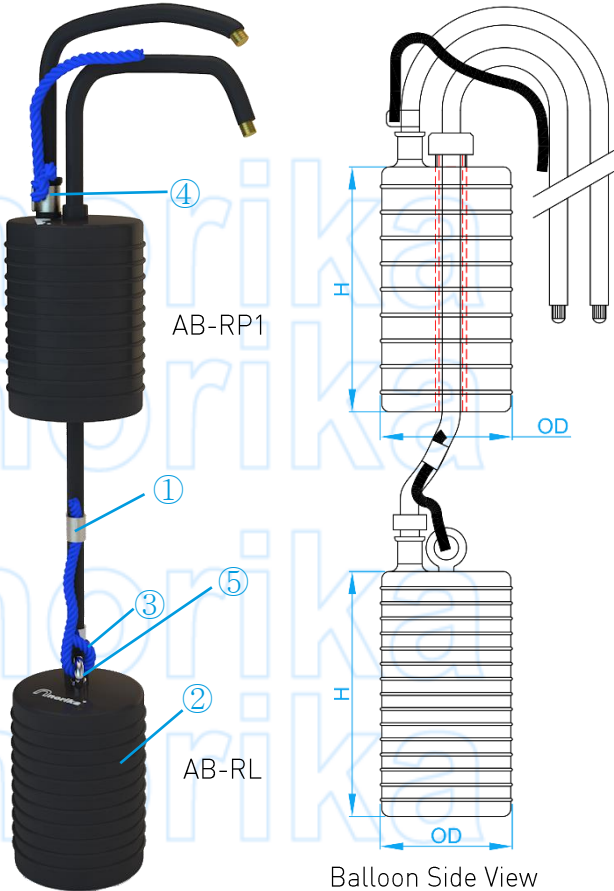
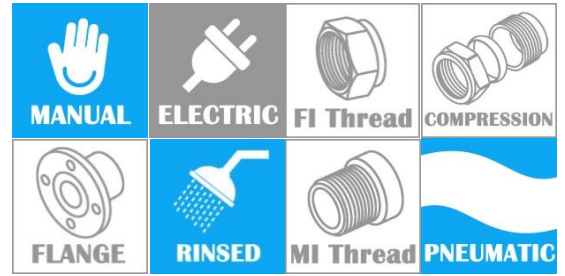


INFLATABLE BLACK RUBBER BYPASS TWIN BALLS (DRAIN TESTING AIR BAGS)(PNEUMATIC PLUGS)



COMPONENT PARTS

ITEM	PARTS	MATERIAL
1	Seal Clip	AISI304
2	Balloon	Natural Rubber
3	Retrieving Rope	Nylon
4	Inlet	1/2" BSP Connection
5	Ring	AISI304

DIMENSIONS

SKU	Ball	OD (mm)	H (mm)	Applicable pipe (inch)	MAX PRESSURE (PSI)	HOSE LENGTH (m)	WEIGHT (kg)	PCS/CTN
AB100RPX2	AB100RP1	87	162	4"	40	6	2.470	1
	AB100RL		162		30	10		
AB150RPX2	AB150RP1	138	220	6"	40	6	5.235	1
	AB150R		180		30	10		